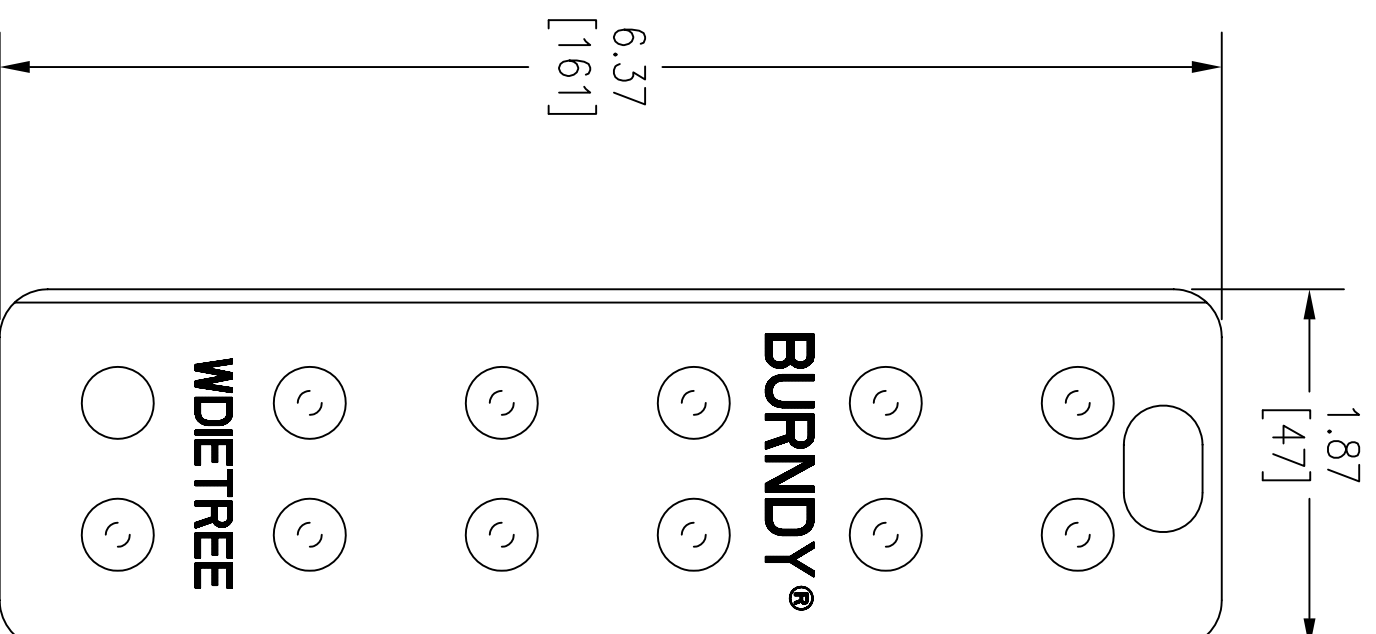
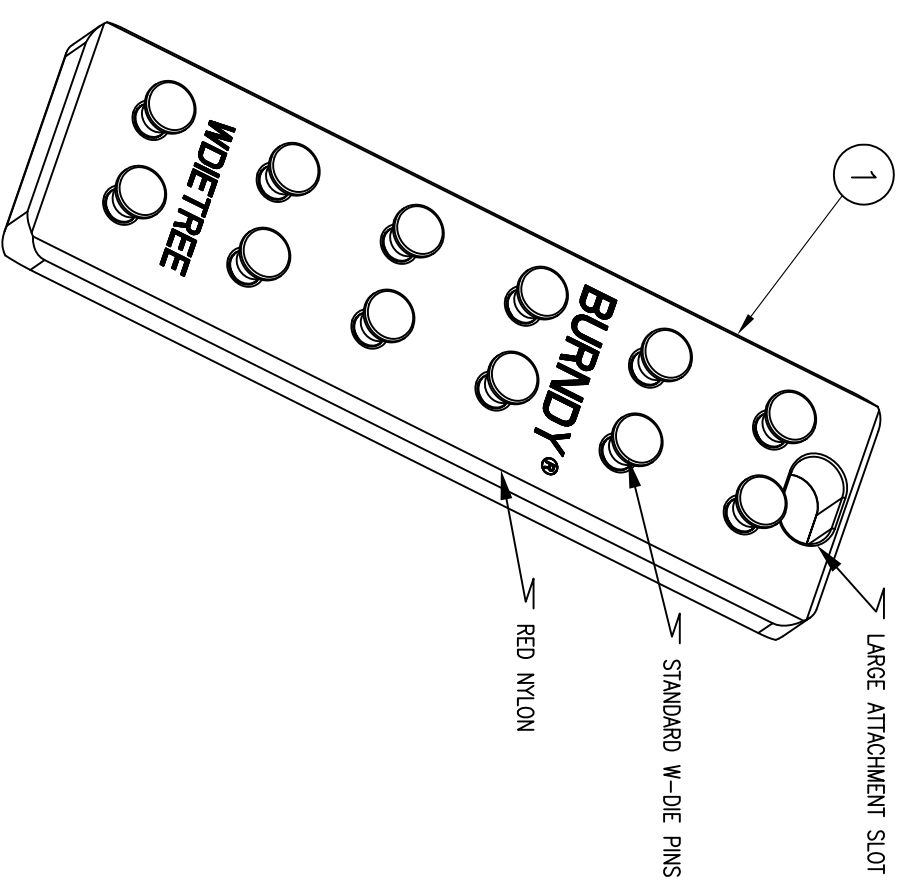
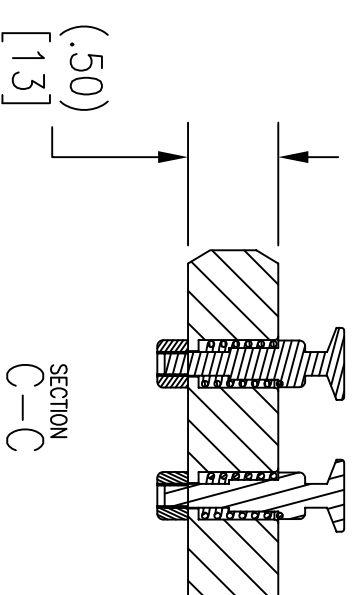


ITEM NO.	DESCRIPTION	QTY.
1	DIE TREE	1

CATALOG NUMBER	DESCRIPTION
HWDIETREE	DIE TREE FOR 'W' DIES



- NOTES:
1. LIGHT WEIGHT W-DIE HOLDER.
 2. KEEPS DIES CONVENIENTLY LOCATED IN AN ORDERLY FASHION.
 3. HOLDS UP TO 6 SETS OF W-DIES.
 4. DIMENSIONS IN BRACKETS [] ARE ROUNDED OFF TO THE NEAREST MILLIMETER UNLESS OTHERWISE SPECIFIED AND ARE FOR REFERENCE ONLY.
 5. SPECIFICATIONS SUBJECT TO CHANGE WITHOUT NOTICE



REV.	ECN	DATE	DESCRIPTION	CHG BY	APPD BY
1	17987	8/13/12	INITIAL RELEASE	CG	

Created on AUTOCAD

DIMENSIONING AND TOLERANCE PER
ANSI Y14.5M-1982
UNLESS OTHERWISE SPECIFIED,
DIMENSIONS ARE IN INCHES (MM).
TOLERANCES
.XX = ±.01 (.25)
.XXX = ±.005 (.127)
.XXXX = ±.0025 (.0635)
ANGLE TOL ±1°

PROJECT REFERENCE:
2011-041

MATERIAL:
SEE NOTES

DRAWN BY:
C. GRIBBLE 8/13/12

CHECKED BY:

APPROVED BY:

HUBBELL
Hubbell Premise Wiring
HUBBELL INCORPORATED (Delaware)
23 CLARA DRIVE, SUITE 103 MASTIC, CT 06355

TITLE:
DIE HOLDER FOR 'W' DIES

SIZE: C
DRAWING NO.: HWS14103C
SCALE: 1/1

REVISIONS:
REV. 1